

Product Brief

Model: TLG3901V2 Series

Ver.1.3

All-in-one Gateway



1. Description

TLG3901V2 series is defined a lightweight gateway that offer you a secured LoRaWAN® network solution. The fine design is especially suit for home and office IoT applications. No matter where the gateway locates, it mixes in your decoration easily.

Based on Semtech SX1308/SX1272 and MTK MT8516A chipset designs, it offers LoRa®, 2.4GHz wireless transmission and Ethernet for various connectivity. TLG3901V2 series support full duplex mode, sender can send the data but also can receive the data simultaneously. The configuration of website is designed from user's point of view and we make it easier for setting.

2. Features

- Light weight and fine design
- Wide variety of connectivity interfaces include LoRa®, 2.4GHz wireless and LTE.
- Micro USB for power supply
- Standard USB for memory extension, 3G/4G dongle plug-in.
- Easy settings for user from web configuration
- Support Full duplex mode

3. Applications

- Smart home
- Smart office
- Smart classroom
- Smart mall

4. Product Specifications

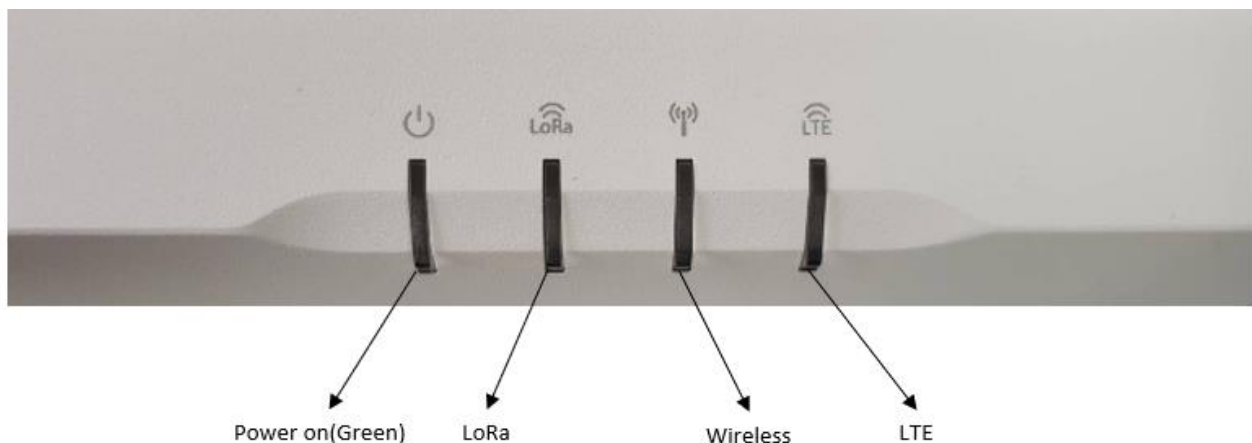
CORE	
MODEL NAME	TLG3901V2
SOC	MT8516A ARM Cortex-A35
RF CHIP	Semtech SX1308 Semtech SX1272
FLASH	256MB
MEMORY	512MB
NETWORK COMMUNICATION	
LoRa	Spreading spectrum
LoRa FREQUENCY RANGE	Japan: 920~928MHz Taiwan: 920~925MHz
LTE	EC25
FREQUENCY RANGE	[Japan] LTE FDD: B1/B3/B8/B18/B19/B26 LTE TDD: B41 WCDMA: B1/B6/B8/B19 [Taiwan] LTE FDD: B1/B2/B3/B4/B5/B7/B8/B28 LTE TDD: B40 WCDMA: B1/B2/B5/B8
WIRELESS TRANSMISSION	2.4GHz
LAN	Ethernet 10/100
LoRa ANTENNA	2dBi x 2
WIRELESS ANTENNA	4dBi
LTE ANTENNA (TLG3901BL ONLY)	0 dBi@699~960 MHz; 2.6dBi @ 1710~2700 MHz
I/O	
INTERFACE	RJ45 x1 Micro USB x1 (power) Standard USB 2.0 x1 (external storage) Factory reset button
LED INDICATION	PWR/LoRa Status/Wireless/LTE
POWER INPUT	DC5V/2A
MECHANISM	
DIMENSION (MM)	150.6*107.26*33mm (include the rubber foot)

WEIGHT (w/o ACCESSORIES)	220g
ACCESSORIES IN PACKAGE	USB charging cable x1 LoRa Antenna x2 USB power adapter x1 ¹
ENVIRONMENT	
OPERATION TEMPERATURE	0~55°C
STORAGE TEMPERATURE	-20~70°C
CERTIFICATE	TELEC / VCCI / NCC / BSMI / ROHS / REACH IEC/EN 61000-4-2 ESD IEC/EN 61000-4-3 RS IEC/EN 61000-4-11 V-DIP

¹: There are two types of power adapter, the part numbers are ATM012T-W050UU and A138A-120150U-US4 separately.

5. LED and I/O Description

5.1. LED Indicator

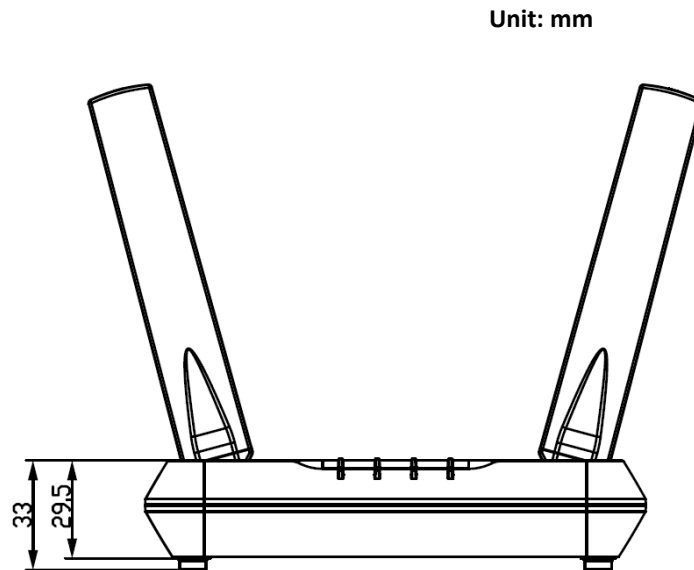
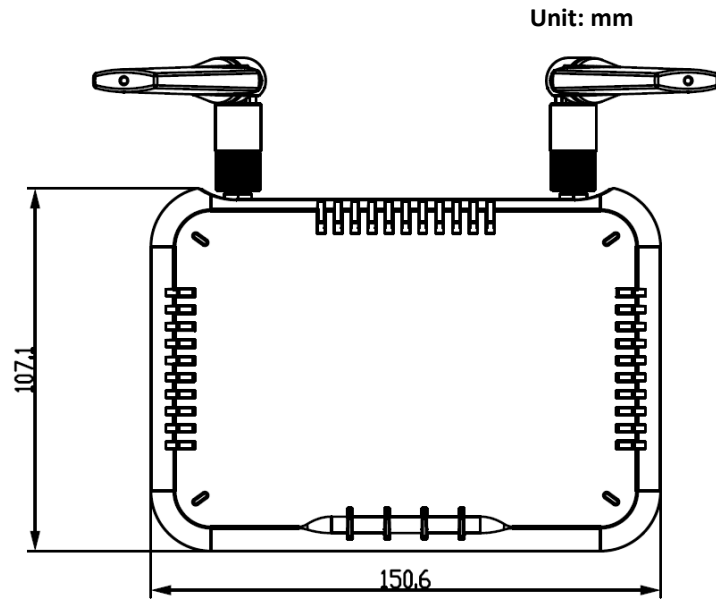


<u>Power:</u> <ul style="list-style-type: none"> ● Power on (Green), ● Factory default (Red) 	<u>LoRa Status:</u> <ul style="list-style-type: none"> ● Flashing green
<u>Wireless:</u> <ul style="list-style-type: none"> ● Wireless transmission on (flashing green) 	<u>LTE:</u> <ul style="list-style-type: none"> ● Flashing green

5.2. I/O Description

- RJ-45: Wired LAN connections
- Standard USB: External storage
- Micro-USB: Power by plugging into the USB power cable
- Factory reset button: Press the button for factory default reset

6. Mechanical Drawing



7. Ordering list

MODEL NAME	DESCRIPTION
TLG3901BV2	Original version
TLG3901BLV2	LTE version