

Product Brief

Model: TLG3901B / TLG3901BL

Ver.1.4

All-in-one Gateway

(Japan version)



INDEX

1. Description.....	3
2. Features	3
3. Applications	3
4. Product Specifications	4
5. LED and I/O Description.....	5
5.1. LED indicator	5
5.2. I/O description	5
6. Mechanical Drawing	6

1. Description

TLG39 Series is defined a light weight gateway that offer you a secured LoRaWAN® network solution. The fine design is especially suit for home and office IoT applications. No matter where the gateway locates, it mixes in your decoration easily.

Based on Semtech SX1308/SX1257 and MTK MT8516A chipset designs, it offers LoRa®, 2.4GHz wireless transmission and Ethernet for various connectivity. The configuration of website is designed from user's point of view and we make it easier for setting.

2. Features

- Light weight and fine design
- Wide variety of connectivity interfaces include LoRa®, 2.4GHz wireless and LTE.
- Micro USB for power supply
- Standard USB for memory extension, 3G/4G dongle plug-in.
- Easy settings for user from web configuration

3. Applications

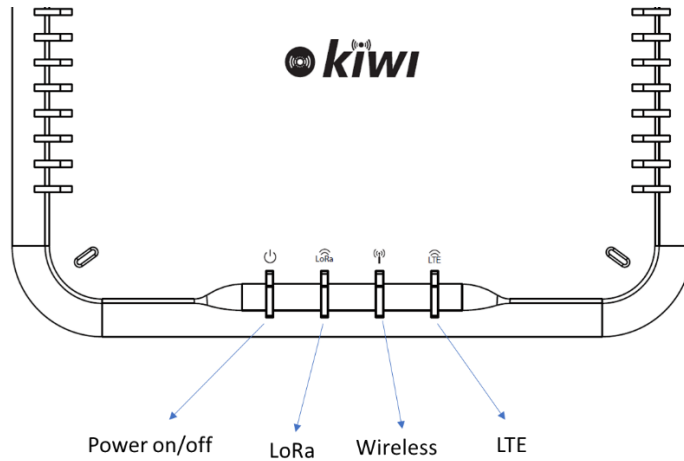
- Smart home
- Smart office
- Smart classroom
- Smart mall

4. Product Specifications

Core	
Model	TLG3901B TLG3901BL (with LTE version)
RF Chip	Semtech SX1308
SoC	MT8516A ARM Cortex-A35
Frequency Range	920~928MHz for JPN LTE FDD: B1/B3/B8/B18/B19/B26 LTE TDD: B41 WCDMA: B1/B6/B8/B19
Flash	256MB
Memory	512MB
Network Communication	
LoRa	Spreading spectrum
LTE (TLG3901BL only)	EC25-J
wireless transmission	2.4GHz
LAN	Ethernet 10/100
System	
LoRa Antenna	2dBi
Wireless Antenna	4dBi
LTE Antenna (TLG3901BL only)	0 dBi@699~960 MHz; 2.6dBi @ 1710~2700 MHz
LED indication	PWR/LoRa Status/Wireless/LTE
Interface	RJ45 x1 Micro USB x1 (power) Standard USB 2.0 x1 (external storage)
Dimension (mm)	135.6 x 107.11 x 33.00 (include the rubber foot)
Operating Voltage	5V 2A
Operation Temp.	0~40° c
Storage Temp.	-20~70° c
Accessories in package	USB charging cable * 1 LoRa Antenna * 1
Accessories (optional)	USB power adapter Input: Universal 100 ~ 240 Vac / 50 ~ 60 Hz, Output: 5 V / 0 ~ 2 A

5. LED and I/O Description

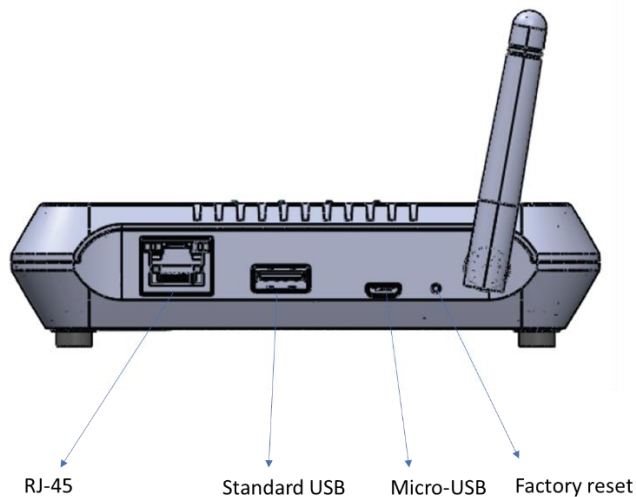
5.1. LED indicator



<p><u>Power:</u></p> <ul style="list-style-type: none"> ● Power on (Green), ● Factory default (Red) 	<p><u>LoRa Status:</u></p> <ul style="list-style-type: none"> ● Flashing green
<p><u>Wireless:</u></p> <ul style="list-style-type: none"> ● Wireless transmission on (flashing green) 	<p><u>LTE :</u></p> <ul style="list-style-type: none"> ● Flashing green

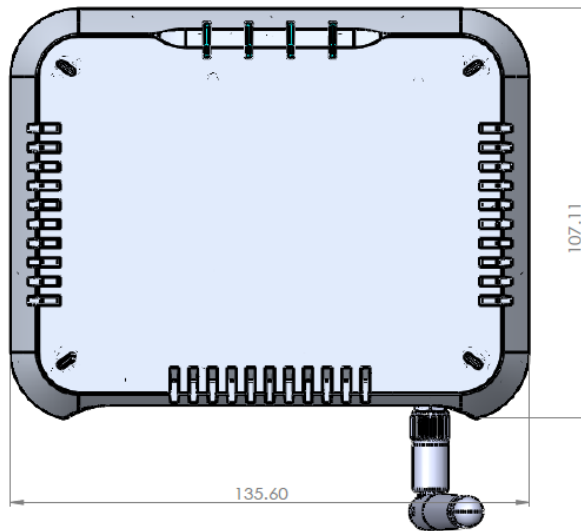
5.2. I/O description

- RJ-45: Wired LAN connections
- Standard USB: External storage
- Micro-USB: Power by plugging into the USB power cable
- Factory reset button: Press the button for factory default reset



6. Mechanical Drawing

Unit: mm



Unit: mm

