

Product Brief

Model: LAS-604V3

Ver.1.7

Temperature Sensor



1. Description

LAS-604V3 is a temperature sensor that utilizes LoRaWAN® to periodically report temperature. The temperature measurement is through PT100 probe. It could support ultra-low temperature measurement condition in specific application such as medical cold train. In addition, LAS-604V3 will retrieve date time for synchronous from server at boot up which make sure the accuracy of report period.

2. Features

- Ambient temperature monitoring and remote reporting
- Durable LCD shows temperature information
- Wide temperature measurement
- Data logger and wireless transmission to server
- High accuracy RTD thermometer probe
- Easy to replace the battery without special tools
- Long life, operation time at least up to 5 years with embedded battery
- Easy settings for user from web configuration

3. Applications

- Smart Logistics and warehouse
- Smart supermarket
- Smart refrigerator and freezer

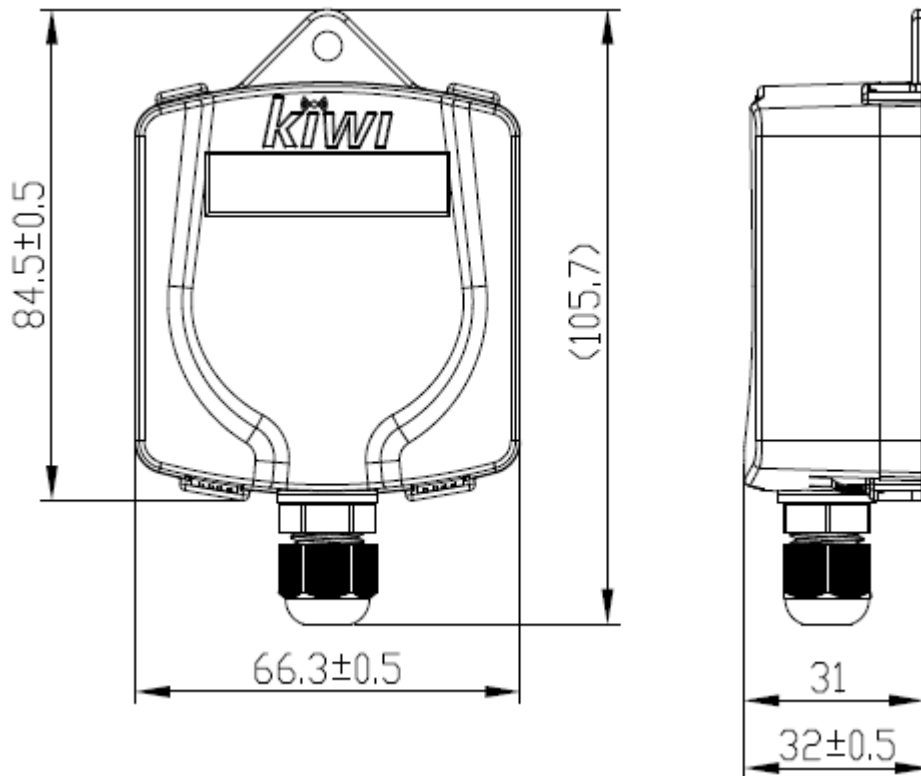
4. Product Specifications

TECHNICAL SPEC	
Measurement Range	-60°C ~ 200°C...normal version -80°C ~ 200°C...ultra-low temp. version
Accuracy	± 0.3 °C at -20 °C to 80 °C
	± 0.5 °C at -40 °C to -20 °C, 80 °C to 110 °C
	± 1.0 °C at -60°C to -40 °C, 110 °C to 200 °C...normal version
	± 1.0 °C at -80 °C to -40 °C, 110 °C to 200 °C...ultra-low temp. version
Temperature Resolution	0.1 °C
Measuring and Recording Interval	Detect every 5 minutes
Transmission Interval	Report every hour, reporting period can be 1~24 hours
Communication Frequency	920.6~928MHz for Japan 920.0~ 925.0 MHz, Taiwan 902~928MHz, US
Battery type	Lithium battery two cells pack, 2400mAhx2
MECHANISM	

Color	White
Dimension	66.3 x 84.5 x 32 mm, without the connector
Weight	120 g ± 15g
Probe ϕ	2.3mm
Probe cable length ¹	100cm...normal version 300cm...ultra-low temp. version
ENVIRONMENT	
Operation Temperature	-20°C ~ +70°C
Storage Temperature	-30°C ~ +70°C
Working Relative Humidity	5%~95%
Protection	IP65
Certification	TELEC/VCCI/FCC

Note1: Probe cable length shows default value, it is adjustable to 100cm, 300cm, 500cm

5. Mechanical Drawing



6. Display

Show 3 digits of temperature, and one digit after decimal.



7. Ordering List

Model Name	Description
LAS-604V3	Normal version
LAS-604V3-UL	Ultra-low temperature version