

Product Brief

Model: LAS-604V3

Ver.1.5

LoRa Temperature Sensor



INDEX

1. Description.....	4
2. Features	4
3. Applications	4
4. Product Specifications	4
5. Mechanical Drawing	6
6. Display.....	6
7. Ordering List	6

1. Description

LAS-604V3 is a temperature sensor that utilizes LoRaWAN to periodically report temperature. The temperature measurement is through PT100 probe. It could support ultra-low temperature measurement condition in specific application such as medical cold train. In addition, LAS-604V3 will retrieve date time for synchronous from server at boot up which make sure the accuracy of report period.

2. Features

- Slim design
- Durable LCD shows temperature information
- Wide temperature measurement
- Data logger and wireless transmission to server
- High accuracy RTD thermometer probe
- Easy to replace the battery without special tools.
- Low power and long battery life
- Easy settings for user from web configuration

3. Applications

- Smart Logistics and warehouse
- Smart supermarket
- Smart refrigerator and freezer

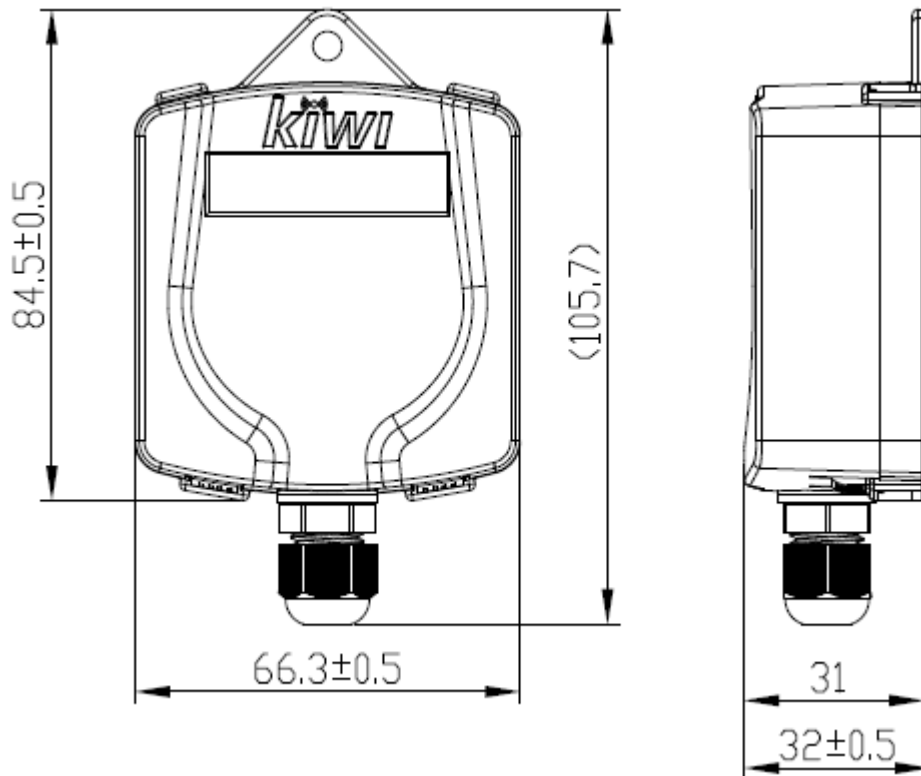
4. Product Specifications

Item	Specifications
Measurement Range	60°C ~ 200 °C...normal version -80°C ~ 200 °C...ultra-low temp. version
Accuracy	± 0.3 °C at -20 °C to 80 °C ± 0.5 °C at -40 °C to -20 °C, 80 °C to 110 °C ± 1.0 °C at -60°C to -40 °C, 110 °C to 200 °C...normal version ± 1.0 °C at -80 °C to -40 °C, 110 °C to 200 °C...ultra-low temp. version
Temperature Resolution	0.1 °C
Measuring and Recording Interval	Detect every 5 minutes
Transmission Interval	Hourly report, reporting period can be 1~24 hours, default is 1 hour.
Communication Frequency	920.6~928MHz for JPN 902~928 MHz for US
Radio Range	depends on environment interference
Dimension	66.3 x 84.5 x 32 mm, without the connector

Probe	Probe ϕ : 2.3mm
Probe cable length...note1	100cm...normal version 300cm...ultra-low temp. version
Protection	IP64
Antenna Gain	< 1dBi
Antenna Impedance	50ohm
Battery type	Lithium battery two cells pack, 2400mAhx2
Weight	120 g \pm 15g
Operation Temperature	-20°C ~ +70°C
Storage Temperature	-30°C ~ +70°C
Working Relative Humidity	5%~95%
Power Consumption	<0.6W
Certification	TELEC/VCCI/FCC

Note1: Probe cable length shows default value, it is adjustable to 100cm, 300cm, 500cm

5. Mechanical Drawing



6. Display

Show 3 digits of temperature, and one digit after decimal.



7. Ordering List

Model Name	Description
LAS-604V3	Normal version
LAS-604V3-UL	Ultra-low temperature version